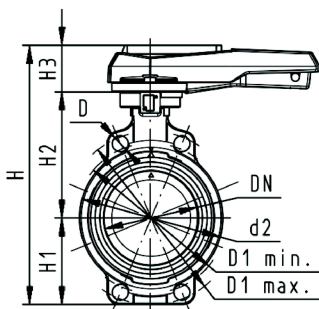




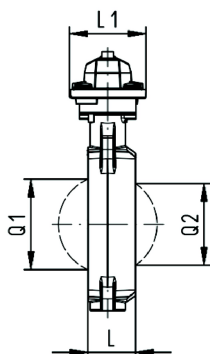
**Wafer-style, intermediate installation butterfly valve type 567 PVC-U**  
**With hand lever**  
**Flange standard metric/ANSI/BS/JIS**

**Model:**

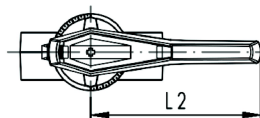
- Up to DN 300: Overall length according to EN558 (DN 50-200: line 25, DN250, 300 line 16), ISO 5752
- Connecting dimension: ISO 7005 PN 10, EN 1092 PN 10, DIN 2501 PN 10, ANSI/ASME B 16.5 Class 150, BS 1560: 1989, BS 4504, JIS B 2220
- We recommend for the dimensions DN250 and DN300 only 6 bar maximum system pressure for the hand lever version



d (mm)	Size (inch)	DN (mm)	PN (bar)	kv-value ( $\Delta p=1$ bar) (L/min)	EPDM Code	FKM Code	SP	Weight (kg)
63	2	50	10	740	161 567 002	161 567 022	1	1.259
75	2 ½	65	10	1500	161 567 003	161 567 023	1	1.799
90	3	80	10	2400	161 567 004	161 567 024	1	1.534
110	4	100	10	3800	161 567 005	161 567 025	1	2.235
140	5	125	10	8600	161 567 006	161 567 026	1	2.799
160	6	150	10	11400	161 567 007	161 567 027	1	3.791
225	8	200	10	19900	161 567 008	161 567 028	1	6.570
280	10	250	10	34000	161 567 009	161 567 029	1	12.998
315	12	300	10	50000	161 567 010	161 567 030	1	19.139



d (mm)	D (mm)	D1 min. (mm)	D1 max. (mm)	D3 (mm)	d2 (mm)	H (mm)	H1 (mm)	H2 (mm)	H3 (mm)	L (mm)	L1 (mm)	L2 (mm)	L3 (mm)	Q1 (mm)
63	19	120.0	125.0	160	104	265	77	134	54	45	106	205	179	40
75	19	139.7	145.0	160	115	268	83	140	45	46	106	205	179	54
90	19	150.0	160.0	160	131	289	89	146	54	49	106	205	179	67
110	19	175.0	190.5	160	161	326	104	167	55	56	106	255	179	88
140	23	210.0	215.9	160	187	353	117	181	55	64	106	255	179	113
160	24	241.3	241.3	160	215	374	130	189	55	72	106	255	179	139
225	23	290.0	295.0	160	267	435	158	210	67	73	140	408	179	178
280	25	353.0	362.0	200	329	554	205	264	85	113	149	408	198	210
315	25	400.0	432.0	200	379	598	228	285	85	113	149	408	198	256



d (mm)	Q2 (mm)
63	35
75	
90	50
110	74
140	97
160	123
225	169
280	207
315	253

The technical data are not binding. They neither constitute expressly warranted characteristics nor guaranteed properties nor a guaranteed durability. They are subject to modification. Our General Terms of Sale apply.

Georg Fischer Piping Systems Ltd, Postfach, CH-8201 Schaffhausen/Switzerland

Phone +41 -(0)52-631 1111

e-mail: info.ps@georgfischer.com

# Data sheet

valid from: 8/19/21

---



Internet: <http://www.gfps.com>