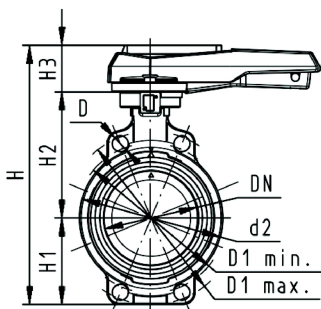




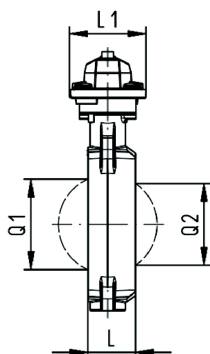
PROGEF Standard
Butterfly valve type 567
Hand lever with ratchet settings

Model:

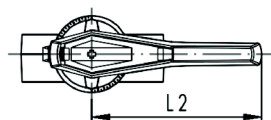
- Material: PP-H, DN350-DN600 material PP-R
- Up to DN 300: Overall length according to EN558 (DN 50-200: line 25, DN250, 300 line 16), ISO 5752
- Connecting dimension: ISO 7005 PN 10, EN 1092 PN 10, DIN 2501 PN 10, ANSI/ASME B 16.5 Class 150, BS 1560: 1989, BS 4504, JIS B 2220
- We recommend for the dimensions DN250 and DN300 only 6 bar maximum system pressure for the hand lever version



d (mm)	Size (inch)	DN (mm)	PN (bar)	kv-value ($\Delta p=1$ bar) (L/min)	EPDM Code	SP	Weight (kg)	FKM Code	SP	Weight (kg)
63	2	50	10	1470	167 567 002	1	1.170	167 567 022	1	1.627
75	2 ½	65	10	2200	167 567 003	1	1.254	167 567 023	1	1.061
90	3	80	10	3000	167 567 004	1	1.384	167 567 024	1	1.404
110	4	100	10	6500	167 567 005	1	1.961	167 567 025	1	1.998
140	5	125	10	11500	167 567 006	1	2.367	167 567 026	1	2.429
160	6	150	10	16600	167 567 007	1	3.741	167 567 027	1	3.246
225	8	200	10	39600	167 567 008	1	5.545	167 567 028	1	5.609
280	10	250	8	55200	167 567 009	1	11.061	167 567 029	1	11.841
315	12	300	8	80000	167 567 010	1	16.548	167 567 030	1	13.245



d (mm)	PTFE Code	Weight (kg)
63	167 567 202	1.170
75	167 567 203	1.254
90	167 567 204	1.384
110	167 567 205	1.961
140	167 567 206	2.367
160	167 567 207	3.741
225	167 567 208	5.545
280	167 567 209	11.061
315	167 567 210	16.548



d (mm)	d2 (mm)	D (mm)	D1 min. (mm)	D1 max. (mm)	H (mm)	H1 (mm)	H2 (mm)	H3 (mm)	L (mm)	L1 (mm)	L2 (mm)	Q1 (mm)	Q2 (mm)
63	104	19	120	125	264	77	134	54	45	106	205	40	
75	115	19	140	145	277	83	140	54	46	106	205	54	35
90	131	19	150	160	289	89	146	54	49	106	205	67	50
110	161	19	175	191	325	104	167	55	56	106	255	88	74
140	187	23	210	216	352	117	181	55	64	106	255	113	97
160	215	24	241	241	373	130	189	55	72	106	255	139	123
225	267	23	290	295	435	158	210	67	73	140	408	178	169
280	329	25	353	362	554	205	264	85	113	149	408	210	207
315	379	25	400	432	598	228	285	85	113	149	408	256	253

The technical data are not binding. They neither constitute expressly warranted characteristics nor guaranteed properties nor a guaranteed durability. They are subject to modification. Our General Terms of Sale apply.

Georg Fischer Piping Systems Ltd, Postfach, CH-8201 Schaffhausen/Switzerland
 Phone +41 -(0)52-631 1111

Data sheet

valid from: 7/5/17



e-mail: info.ps@georgfischer.com

Internet: <http://www.gfps.com>