

VALVES ISO 5599/1, SOLENOID/PNEUMATIC, SERIES ISV WITH M12 CONNECTOR

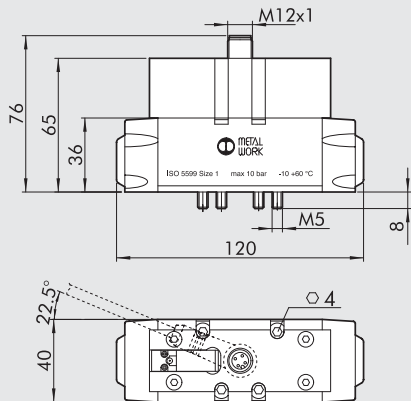


TECHNICAL DATA		ISO 1	ISO 2
Operating pressure:	bar		
• monostable		2.5 to 10	
• bistable		1 to 10	
• pilot-assisted		Vacuum to 10	
Minimum pilot pressure	bar	2.5	
Operating temperature range	°C	-10 to +60	
Nominal diameter	mm	7.5	12
Conductance C	NI/min · bar	250	657.14
Critical ratio b	bar/bar	0.36	0.25
Flow rate at 6 bar ΔP 0.5 bar	NI/min	700	1800
Flow rate at 6 bar ΔP 1 bar	NI/min	1100	2700
TRA / TRR monostable at 6 bar	ms	22 / 60	78 / 180
Solenoid pilot		With built-in coil	
Manual		Monostable on solenoid pilot Monostable on valve body	
Coil power	W	1.2	
Voltage		24 VDC ±10%	
Electrical connection		M12	
Degree of protection		IP65 EN60529	
Electrical protection		Transil	



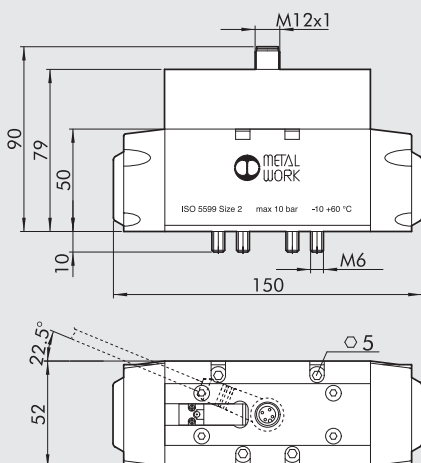
DISTRIBUTORS

MONOSTABLE 5/2 ISO 1



Symbol	Code	Abbrev.	Weight [g]
	7054021100	ISV 55 COS OO	508
	7054021400	ISV 55 CES OO	508

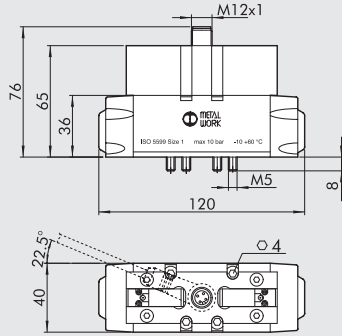
MONOSTABLE 5/2 ISO 2



Symbol	Code	Abbrev.	Weight [g]
	7055021100	ISV 65 COS OO	901
	7055021400	ISV 65 CES OO	901

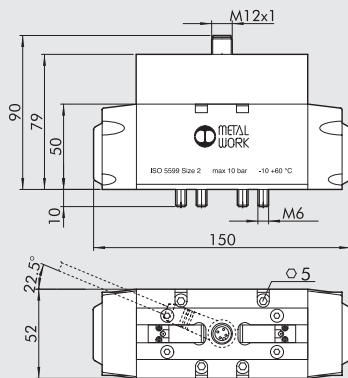
VALVES ISO 5599/1, SOLENOID/PNEUMATIC, SERIES ISV WITH M12 CONNECTOR

BISTABLE 5/2 ISO 1 - MONOSTABLE 5/3 ISO 1



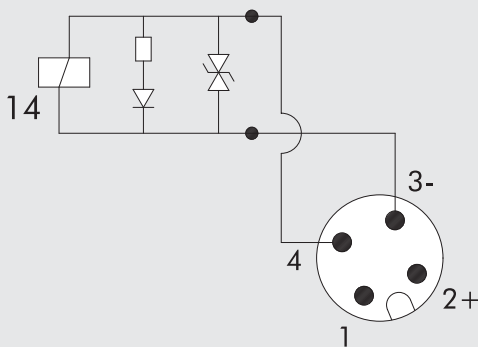
Symbol	Code	Abbrev.	Weight [g]
	7054021200	ISV 55 COB OO	512
	7054021300	ISV 55 COD OO	490
	7054022100	ISV 56 COS CC	496
	7054022200	ISV 56 COS OC	496
	7054022300	ISV 56 COS PC	496
	7054021500	ISV 55 CEB OO	512
	7054021600	ISV 55 CED OO	490
	7054022400	ISV 56 CES CC	496
	7054022500	ISV 56 CES OC	496
	7054022600	ISV 56 CES PC	496

BISTABLE 5/2 ISO 2 - MONOSTABLE 5/3 ISO 2

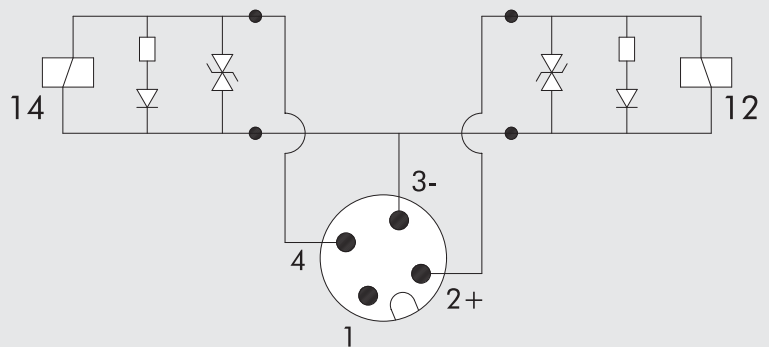


Symbol	Code	Abbrev.	Weight [g]
	7055021200	ISV 65 COB OO	860
	7055021300	ISV 65 COD OO	860
	7055022100	ISV 66 COS CC	868
	7055022200	ISV 66 COS OC	868
	7055022300	ISV 66 COS PC	868
	7055021500	ISV 65 CEB OO	860
	7055021600	ISV 65 CED OO	860
	7055022400	ISV 66 CES CC	868
	7055022500	ISV 66 CES OC	868
	7055022600	ISV 66 CES PC	868

WIRING DIAGRAM

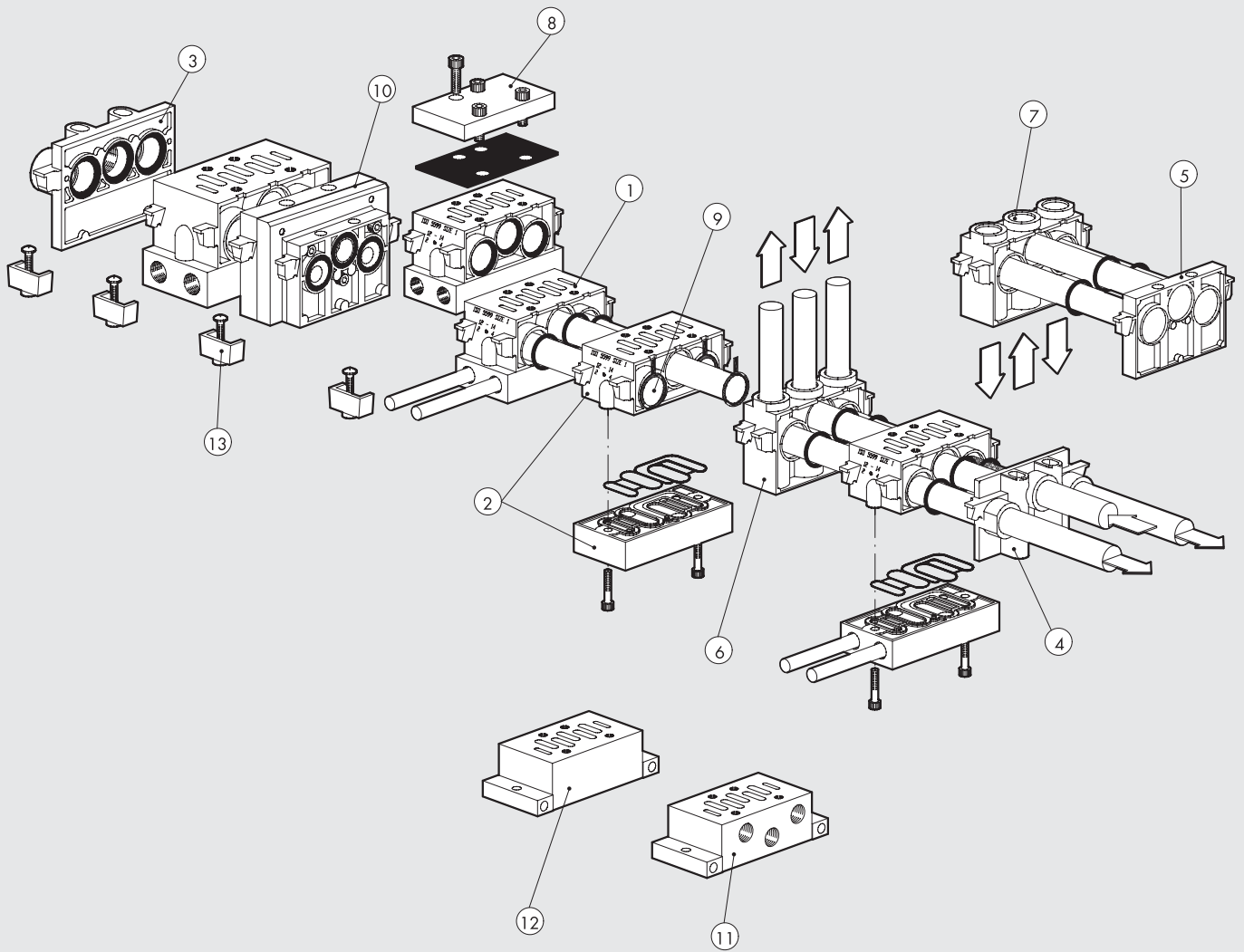


MONOSTABLE



BISTABLE

BASES ISO 5599/1 FOR VALVES SERIES IPV-ISV SIZE 1 AND 2

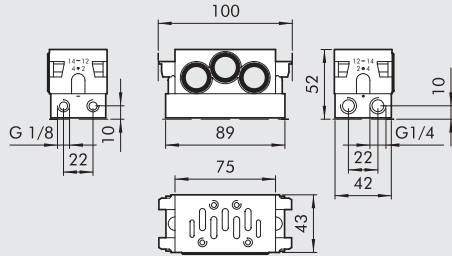


DISTRIBUTORS
BASES ISO 5599/1 FOR VALVES SERIES IPV-ISV SIZE 1 AND 2

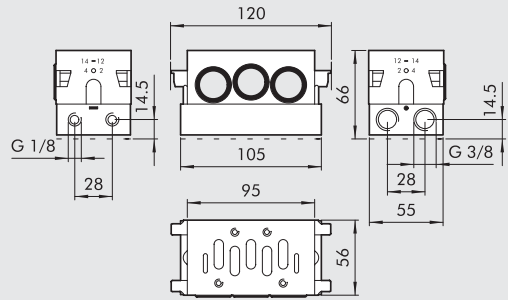
Reference	Code ISO 1	Code ISO 2	Description
①	0228000150	0228001150	Manifold base - side ports
②	0228000155	0228001155	Manifold base with bottom ports
③	0228000200	0228001200	Input end plate
④	0228000201	0228001201	Additional input end plate
⑤	0228000210	0228001210	Blind end plate
⑥	0228000300	0228001300	Intermediate - top ports
⑦	0228000301	0228001301	Intermediate - back ports
⑧	0228000500	0228001500	Blanking plate
⑨	0228000400	0228001400	Intermediate diaphragm
⑩	0228000600	-	ISO 1/ISO 2 port adapter
⑪	0228000100	0228001100	Individual base - side ports
⑫	0228000110	0228001110	Base - bottom ports
⑬	0228000700	0228001700	Assembly kit

① MANIFOLD BASE, SIDE PORTS

ISO 1



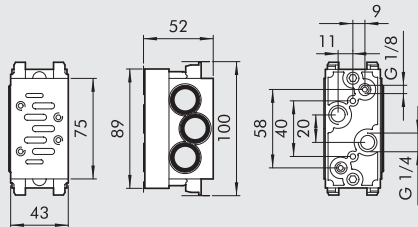
ISO 2



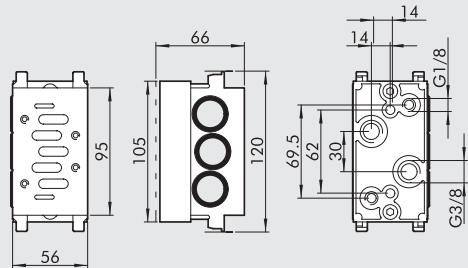
Code	Description	Weight [g]
0228000150	Manifold base, side ports, ISO 1	131
0228001150	Manifold base, side ports, ISO 2	314

② MANIFOLD BASE, BOTTOM PORTS

ISO 1



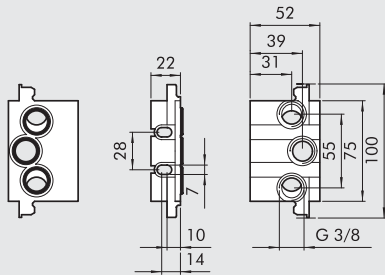
ISO 2



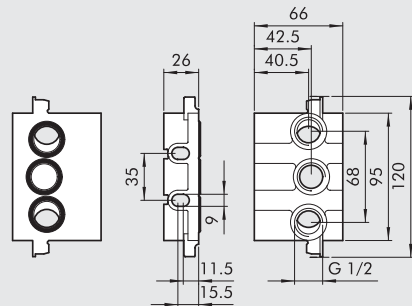
Code	Description	Weight [g]
0228000155	Manifold base, bottom ports, ISO 1	314
0228001155	Manifold base, bottom ports, ISO 2	505

③ INPUT END PLATE

ISO 1



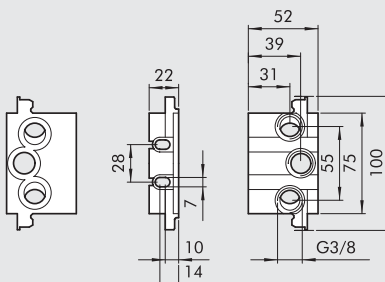
ISO 2



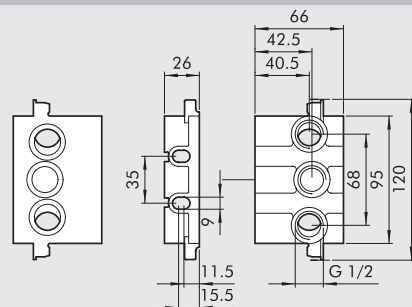
Code	Description	Weight [g]
0228000200	Input end plate ISO 1	129
0228001200	Input end plate ISO 2	206

④ ADDITIONAL INPUT END PLATE

ISO 1



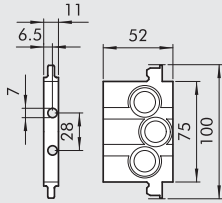
ISO 2



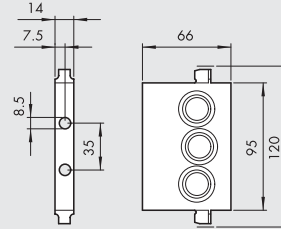
Code	Description	Weight [g]
0228000201	Additional input end plate, ISO 1	84
0228001201	Additional input end plate, ISO 2	162

5 BLIND END PLATE

ISO 1



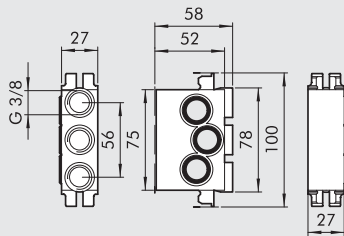
ISO 2



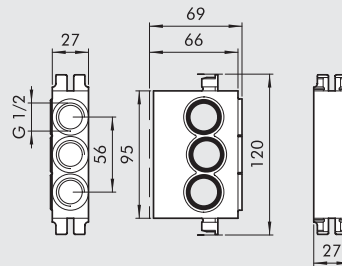
Code	Description	Weight [g]
0228000210	Blind end plate, ISO 1	79
0228001210	Blind end plate, ISO 2	130

6 INTERMEDIATE TOP PORTS

ISO 1



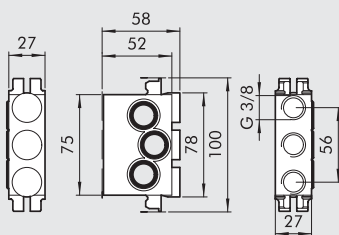
ISO 2



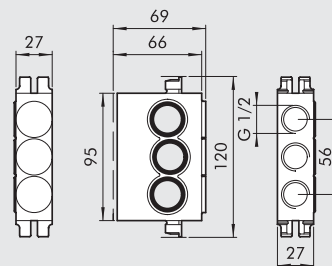
Code	Description	Weight [g]
0228000300	Intermediate top ports, ISO 1	235
0228001300	Intermediate top ports, ISO 2	299

7 INTERMEDIATE REAR PORTS

ISO 1



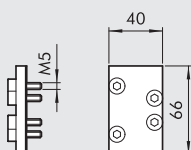
ISO 2



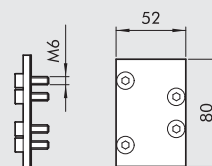
Code	Description	Weight [g]
0228000301	Intermediate rear ports, ISO 1	237
0228001301	Intermediate rear ports, ISO 2	299

8 BLANKING PLATE

ISO 1

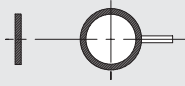


ISO 2



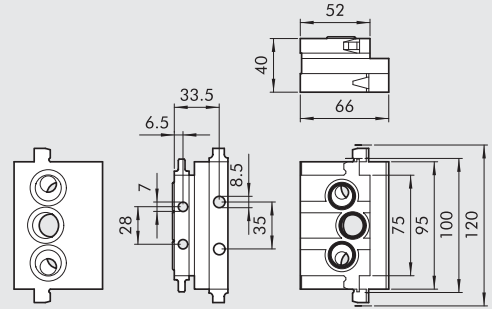
Code	Description	Weight [g]
0228000500	Blanking plate, ISO 1	47
0228001500	Blanking plate, ISO 2	96

9 INTERMEDIATE DIAPHRAGM



Code	Description	Weight [g]
0228000400	Intermediate diaphragm, ISO 1	4
0228001400	Intermediate diaphragm, ISO 2	7

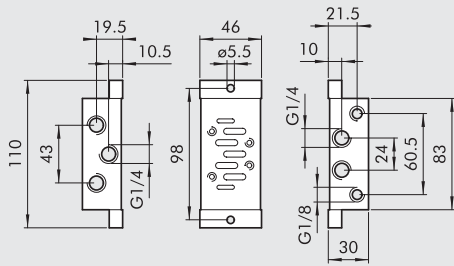
10 DIMENSION ADAPTER



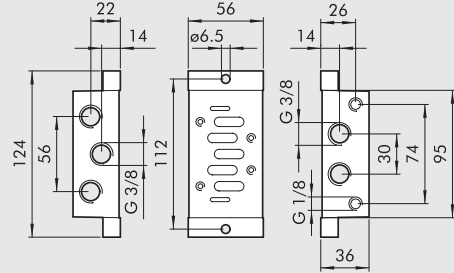
Code	Description	Weight [g]
0228000600	Dimension adapter ISO 1-2	454

11 INDIVIDUAL BASE SIDE PORTS

ISO 1



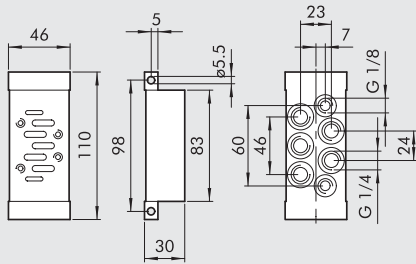
ISO 2



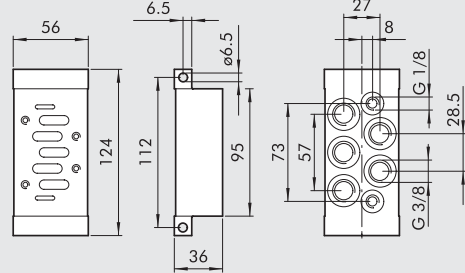
Code	Description	Weight [g]
0228000100	Individual base side ports, ISO 1	165
0228001100	Individual base side ports, ISO 2	257

12 INDIVIDUAL BASE BOTTOM PORTS

ISO 1



ISO 2



Code	Description	Weight [g]
0228000110	Individual base bottom ports, ISO 1	197
0228001110	Individual base bottom ports, ISO 2	304

13 ASSEMBLY KIT

ISO 1

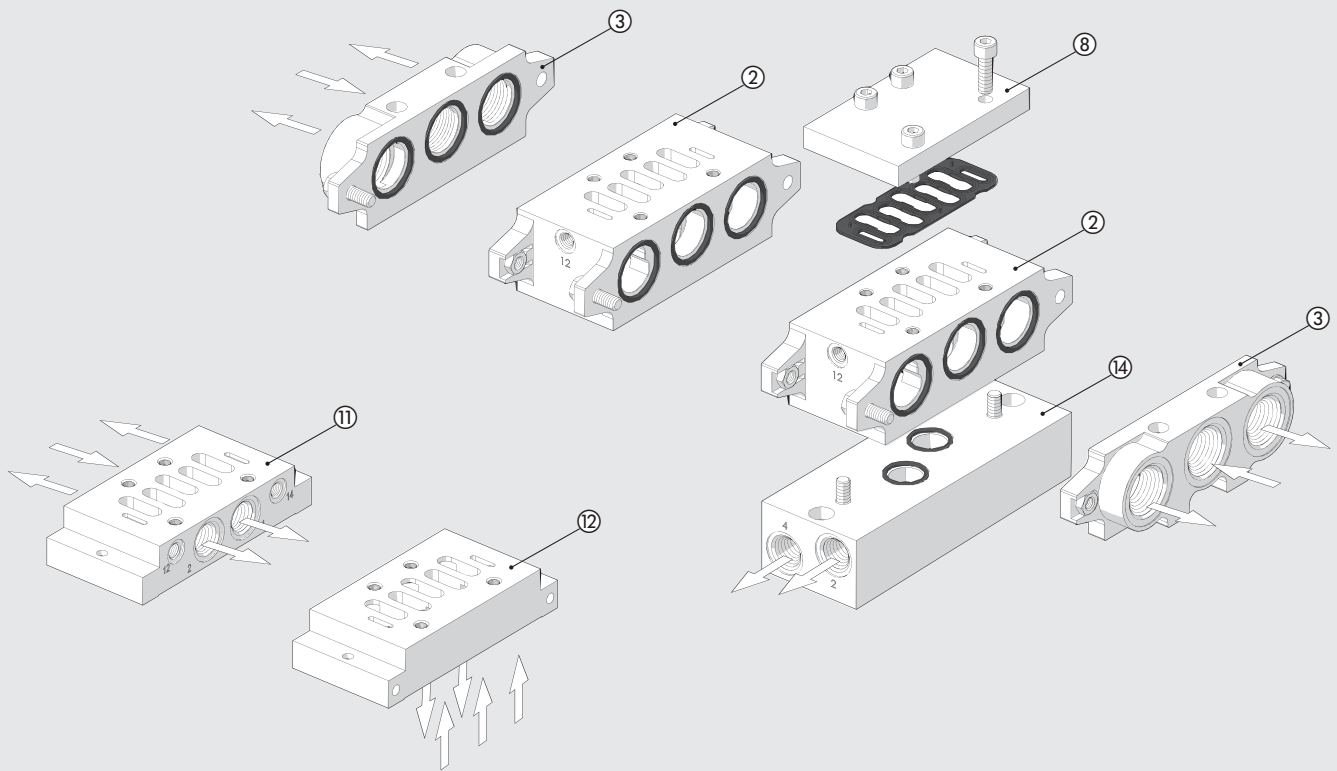


ISO 2



Code	Description	Weight [g]
0228000700	Assembly kit, ISO 1	47
0228001700	Assembly kit, ISO 2	47

**BASES ISO 5599/1
FOR VALVES SERIES IPV-ISV SIZE ISO 3**



DISTRIBUTORS

BASES ISO 5599/1 FOR VALVES SERIES IPV-ISV SIZE ISO 3

Reference	Code ISO 3	Description
②	0228002155	Manifold base with bottom ports
③	0228002200	Input end plate
⑧	0228002500	Blanking plate
⑪	0228002100	Individual base - side ports
⑫	0228002110	Base - bottom ports
⑭	0228002150	Side interface

