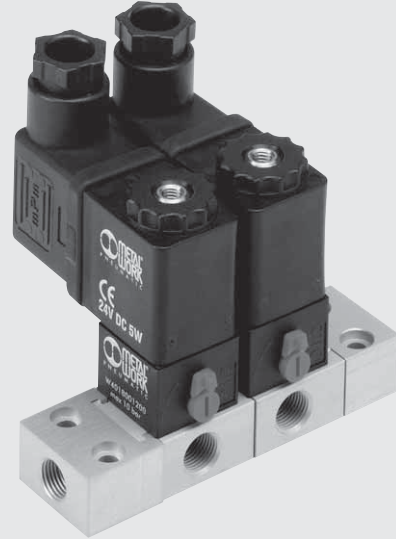


SOLENOID VALVES PIV ON BASE

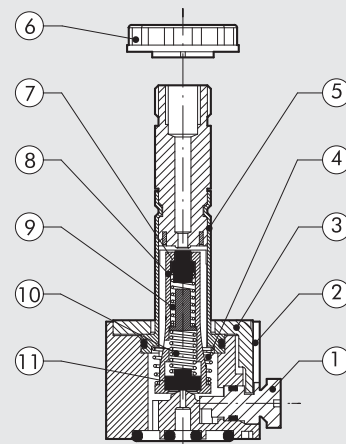
- PIV.I - PIV.T and PIV.B solenoid valves
- Assembly on base
- Bistable manual actuation
- Normally closed/normally open solenoid valves 2/2 – 3/2
- Installation in any position
- Particularly suitable for high operating frequencies and low response times



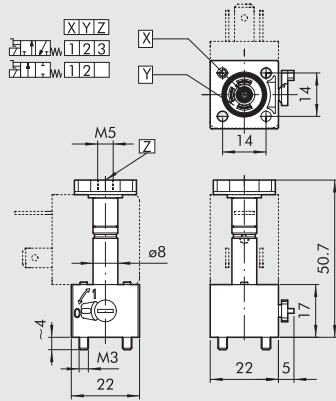
TECHNICAL DATA	PIV.I ON BASE	PIV.T ON BASE	PIV.B ON BASE
Absorption	5W - 5VA	3.8W - 6.5VA	10W - 13VA
Voltage available	12-24 VDC / 24-110-220 VAC	24VDC / 24-110-220 VAC	24VDC / 24-110-220 VAC
	50/60 Hz	50/60 Hz	50/60 Hz
Voltage tolerance	% -10 to +15	% -10 to +15	% -10 to +15
Max operating frequency	Hz 30	Hz 30	Hz 15
Solenoid rating	% 100	% 100	% 100
Response time	ms 8 to 15	ms 8 to 15	ms 10 to 15
Type of protection	IP 65	IP 65	IP 65
Type of coil	Coil side 22 Ø 8 DIN 43650	Coil side 22 Ø 9 DIN 43650	Coil side 30 DIN 43650
Insulation class	155	155	155
Ambient temperature	°C -15 to 50	°C -15 to 50	°C -15 to 50
Fluid temperature	°C -15 to 50	°C -15 to 50	°C -15 to 50
Fluid	Filtered lubricated or unlubricated air 25 million cycles	Filtered lubricated or unlubricated air 25 million cycles	Filtered lubricated or unlubricated air
Working life			-
Weight	g 80 to 120 (according to the version)	g 85	g 250
Maximum coil nut torque	Nm 1	Nm 1	Nm 1

COMPONENTS

- ① Manual control: technopolymer
- ② Body: technopolymer
- ③ Sleeve locking plate
- ④ Spring: stainless steel
- ⑤ Sleeve: brass OT 58
- ⑥ Ring nut for coil fixing
- ⑦ Gasket: NBR
- ⑧ Mobile core
- ⑨ Spring: stainless steel
- ⑩ Spring: stainless steel
- ⑪ Gasket: NBR

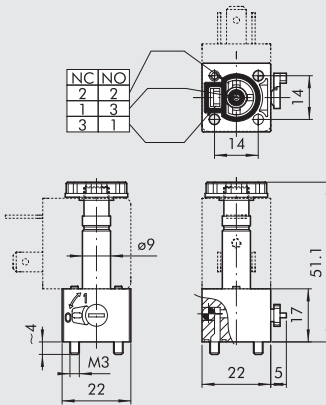


PIV.I VALVES, OPERATOR Ø 8, ON BASE



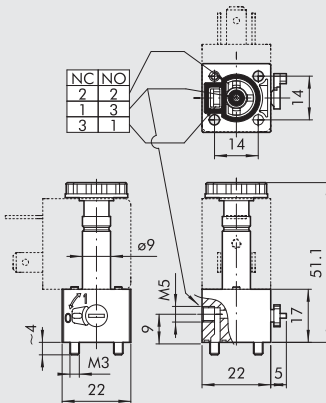
Symbol	Code	Description	Air hole Ø [mm]	kv Factor	Max oper. pressure [bar]	
					DC	AC
	W4018000200	PIV42I0S NC	1.2	0.65	10	10
	W4018000300	PIV72I0S NC	1.6	1	8	8
	W4018001200	PIV43I0S NC	1.2	0.65	10	10
	W4018001300	PIV73I0S NC	1.6	1	8	8

PIV.T VALVES, OPERATOR Ø 9, ON BASE



Symbol	Code	Description	Air hole Ø [mm]	kv Factor	Pressure range [bar]	
					DC	AC
	W4025002101	PIV73T0B NO	1.6	0.75	0.5 to 7	0.5 to 7
	W4025002301	PIV83T0B NO	1.8	0.85	0.5 to 6.5	0.5 to 6.5
	W4025002100	PIV73T0B NC	1.6	0.8	0.5 to 10	0.5 to 10
	W4025002300	PIV83T0B NC	1.8	1	0.5 to 8	0.5 to 8

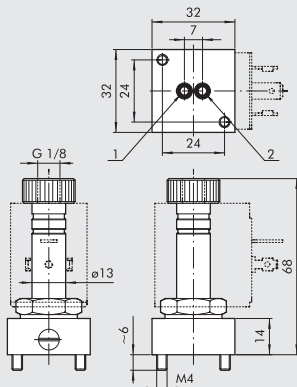
PIV.T VALVES, OPERATOR Ø 9, ON BASE WITH CONVEYED EXHAUST



Symbol	Code	Description	Air hole Ø [mm]	kv Factor	Pressure range [bar]	
					DC	AC
	W4025002001	PIV73T00 NO	1.6	0.75	0.5 to 7	0.5 to 7
	W4025002501	PIV83T00 NO	1.8	0.85	0 to 6	0.5 to 6.5
	W4025002000	PIV73T00 NC	1.6	0.8	0.5 to 10	0.5 to 10
	W4025002500	PIV83T00 NC	1.8	1	0.5 to 8	0.5 to 8

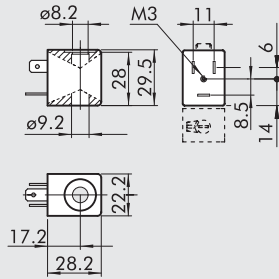
PIV.B VALVES, OPERATOR Ø 13, ON BASE

NORMALLY CLOSED



Symbol	Code	Description	Air hole Ø [mm]	kv Factor	Max oper. pressure [bar]	
					DC	AC
	W4026003000	PIVY3B0S NC	2.4	2.2	8	10

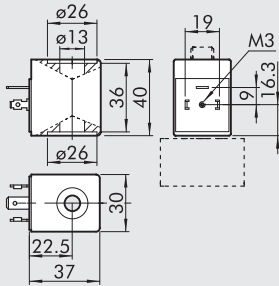
COILS, SIDE 22 mm FOR PIV.T SOLENOID VALVES, OPERATOR Ø 9



- Voltage tolerance: -10 to +15%
- Insulation class: F155
- Degree of protection: IP65 – EN60529 with connector
- Avoid prolonged exposure to the atmospheric agents
- Maximum coil temperature at 100% use: 70°C at 20° ambient temperature
- According to Atex 94/9 CE rule, group 2, category 3 GD

Code	Abbrev.	Nominal voltage	Absorption	
			Inrush	Holding
W0216000001	Coil 22 Ø9 3.8W-24VDC	24Vcc	3.8W	3.8W
W0216000011	Coil 22 Ø9 6.5VA-24VAC	24V 50/60Hz	9VA	6.5VA
W0216000021	Coil 22 Ø9 6.5VA-110VAC	110V 50/60Hz	9VA	6.5VA
W0216000031	Coil 22 Ø9 6.5VA-220VAC	220V 50/60Hz	9VA	6.5VA

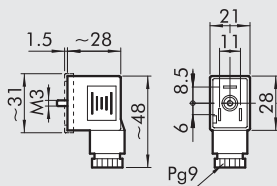
COILS, SIDE 30 mm FOR PIV.B SOLENOID VALVES



- Voltage tolerance: -10 to +15%
- Insulation class: M180
- Degree of protection: IP65 – EN60529 with connector
- Avoid prolonged exposure to the atmospheric agents
- According to Atex 94/9 CE rule, group 2, category 3 GD

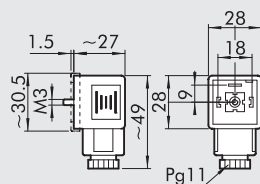
Code	Abbrev.	Nominal voltage	Power absorption (average power input)	
			W0216001001	Coil 30 Ø13 10W-24VDC
W0216001011	Coil 30 Ø13 13VA-24VAC	24V 50/60Hz	13VA	
W0216001021	Coil 30 Ø13 13VA-110VAC	110V 50/60Hz	13VA	
W0216001031	Coil 30 Ø13 13VA-220VAC	220V 50/60Hz	13VA	

CONNECTORS, SIDE 22 mm FOR PIV.I-PIV.T



Code	Type	Colour	Ø Cable
W0970510011	Standard	Black	PG9
W0970510012	LED 24V	Transparent	PG9
W0970510013	LED 110V	Transparent	PG9
W0970510014	LED 220V	Transparent	PG9
W0970510015	LED + VDR 24V	Transparent	PG9
W0970510016	LED + VDR 110V	Transparent	PG9
W0970510017	LED + VDR 220V	Transparent	PG9
W0970510070	Atex II 2 GD	Black	PG9

CONNECTORS, SIDE 30 mm FOR PIV.B



Code	Type	Colour	Ø Cable
W0970520033	Standard	Black	PG11
W0970520034	LED 24V	Transparent	PG11
W0970520035	LED 110V	Transparent	PG11
W0970520036	LED 220V	Transparent	PG11
W0970520037	LED + VDR 24V	Transparent	PG11
W0970520038	LED + VDR 110V	Transparent	PG11
W0970520039	LED + VDR 220V	Transparent	PG11