

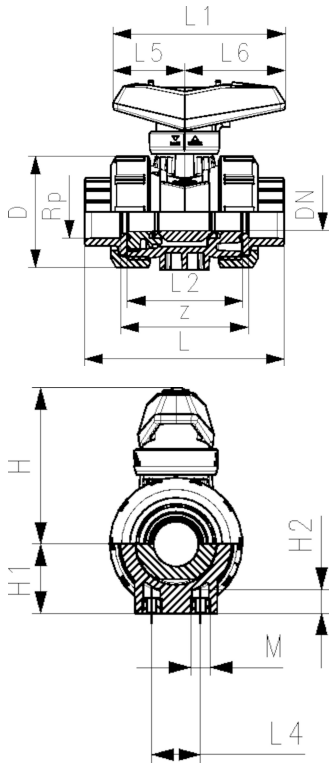
PROGEF Standard Ball valve type 546 Pro With threaded sockets reinforced Rp

Model:

- Material: PP-H
- Lockable lever as standard (DN10-DN50)
- For easy installation and removal
- Ball seals PTFE
- Integrated stainless steel mounting inserts
- Z-dimension, valve end and union nut **are compatible** with type 546 (1st Generation)

Option:

- Interface-module with position feedback sensor, incl. LED feedback (DN10-50)
- Manual spring return lever ("Dead man") (DN10-25)
- Pneumatic or electric actuators from GF
- Individual configuration of the valve possible



d (inch)	d (mm)	Thread Type	Size (inch)	DN (mm)	PN (bar)	kv-value ($\Delta p=1$ bar) (L/min)	EPDM Code	SP	Weight (kg)
3/8	16	Rp	3/8	10	10	71	167 546 021	1	0.120
1/2	20	Rp	1/2	15	10	185	167 546 022	1	0.130
3/4	25	Rp	3/4	20	10	350	167 546 023	1	0.180
1	32	Rp	1	25	10	700	167 546 024	1	0.282
1 1/4	40	Rp	1 1/4	32	10	1000	167 546 025	1	0.460
1 1/2	50	Rp	1 1/2	40	10	1600	167 546 026	1	0.635
2	63	Rp	2	50	10	3100	167 546 027	1	1.190

FKM Code	SP	Weight (kg)
167 546 031	1	0.120
167 546 032	1	0.120
167 546 033	1	0.180
167 546 034	1	0.270
167 546 035	1	0.460
167 546 036	1	0.635
167 546 037	1	1.190

D (mm)	H (mm)	H1 (mm)	H2 (mm)	L (mm)	L1 (mm)	L2 (mm)	L4 (mm)	L5 (mm)	L6 (mm)	M	z (mm)
50	61	27	12	96	82	56	25	35	47	M6	74
50	61	27	12	99	82	56	25	35	45	M6	70
58	74	30	12	111	106	65	25	44	62	M6	79
68	80	36	12	126	106	71	25	44	62	M6	88
84	95	44	15	146	131	85	45	57	74	M8	104
97	102	51	15	157	131	89	45	57	74	M8	115
124	117	64	15	183	152	101	45	66	86	M8	132

The technical data are not binding. They neither constitute expressly warranted characteristics nor guaranteed properties nor a guaranteed durability. They are subject to modification. Our General Terms of Sale apply.

Georg Fischer Piping Systems Ltd, Postfach, CH-8201 Schaffhausen/Switzerland

Phone +41 -(0)52-631 1111

e-mail: info.ps@georgfischer.com

Internet: <http://www.gfps.com>