

HEP5 | ELECTRIC DRIVEN PUMPS - HEAVY DUTY HIGH FLOW

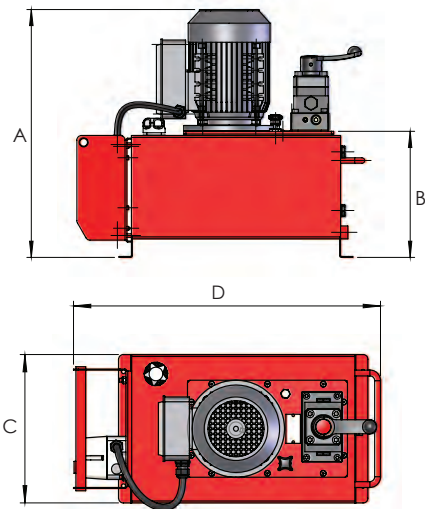


- ▶ 400/460 volt electric motors available as standard
- ▶ Choice of 2, 3 or 4-way manual control valves with load holding feature on 3 & 4-way versions
- ▶ Externally adjustable pressure relief for pressure settings up to 700 bar
- ▶ Completely enclosed fan cooled low noise electric motors

Working pressure 700 bar

Two stage operation

Choice of 40 or 60 litre oil reservoir



Model number	Valve type	Oil capacity (litres)	Maximum flow rate (litres/minute)		Motor voltage	Weight (kg)	Dimensions (mm)			
			1 st stage	2 nd stage			A	B	C	D
HEP517144	P-T Plate	40	17.5	1.9	400V 50 Hz/460V 60 Hz - 3Ph	88.5	693	386	306	633
HEP517164	P-T Plate	60	17.5	1.9	400V 50 Hz/460V 60 Hz - 3Ph	120.0	713	407	406	656
HEP517244	2-way	40	17.5	1.9	400V 50 Hz/460V 60 Hz - 3Ph	89.0	693	386	306	633
HEP517264	2-way	60	17.5	1.9	400V 50 Hz/460V 60 Hz - 3Ph	120.5	713	407	406	656
HEP517344	3-way	40	17.5	1.9	400V 50 Hz/460V 60 Hz - 3Ph	89.0	693	386	306	633
HEP517364	3-way	60	17.5	1.9	400V 50 Hz/460V 60 Hz - 3Ph	120.5	713	407	406	656
HEP517444	4-way	40	17.5	1.9	400V 50 Hz/460V 60 Hz - 3Ph	89.0	693	386	306	633
HEP517464	4-way	60	17.5	1.9	400V 50 Hz/460V 60 Hz - 3Ph	120.5	713	407	406	656

Note: 1) All models are suitable for operation at 50 Hz and 60 Hz. 60 Hz models deliver approximately 15-20% higher flow rate.
2) To order pumps with low voltage solenoid valve and hand pendant controller, suffix 'S' to the pump model number.

WHEEL TROLLEY

Model number	Description
PPA40WT	Wheel trolley for all pumps with 40 litre oil reservoir
PPA60WT	Wheel trolley for all pumps with 60 litre oil reservoir

All HEP5 pumps can be supplied with a factory fitted wheel trolley. Please suffix 'WT' to the pump model number.

