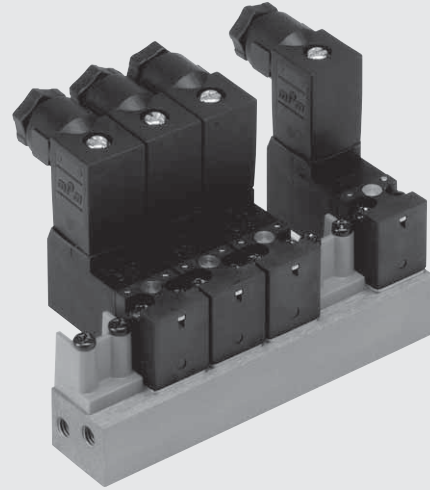


SOLENOID VALVES PIV.M 15-mm

- 3/2 NC/NO direct control microvalves
- Possible assembly on single and multiple bases
- Monostable manual actuation as standard
- Assembly in any position
- Operation with filtered lubricated or unlubricated air
- Maximum ambient temperature: 50°C
- Low power absorption



DISTRIBUTORS

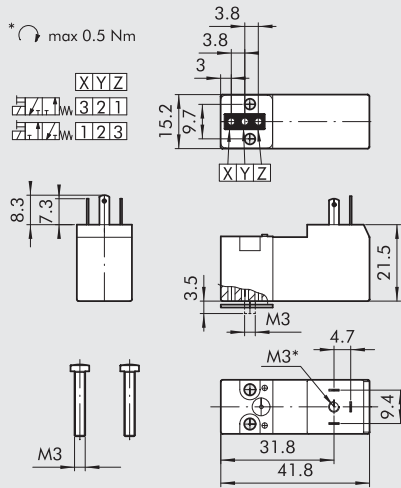
SOLENOID VALVES PIV.M 15-mm

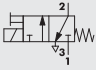
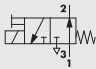
TECHNICAL DATA		
Voltage tolerance	%	-10 to +15
Alternating current frequency (AC)	Hz	50/60
Max operating frequency	Hz	30
Solenoid rating		100% ED
Response time	ms	~ 10
Type of protection		IP 65 EN 60529
Power connection		9.4 mm micro centre distance
Insulation class		155
Ambient temperature	°C	-10 to +50
Fluid temperature	°C	-10 to +50
Fluid		Filtered lubricated or unlubricated air
Operating life		100 million cycles
Materials		Body: PPS Spring: 302 stainless steel FKM/FPM gaskets
Weight	g	30
Manual control		Monostable
Assembly position		In any position

SYNOPTIC, SIZES AND VERSIONS

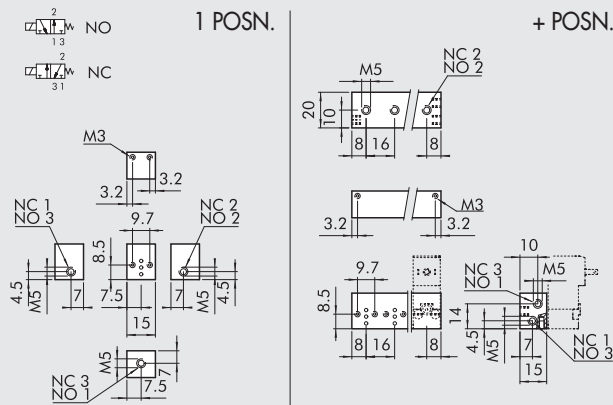
P I V FAMILY	1 AIR HOLE	3 NUMBER OF WAYS	M DIMENSIONS	0 THREAD	1 VERSION	N C FURTHER DETAILS
	1 1 mm	3 3 ways	M 15 x 15	0 on base	1 24 VDC	NC normally closed
	3 1.1 mm				3 24 VAC	NO normally open
	6 1.5 mm				5 110 VAC	
					7 220 VAC	

PIV.M STD DIMENSIONS



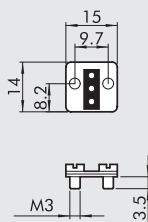
Symbol	Code	Description	Voltage [Volt]	Flow rate [Watt]	Air Ø [mm]	kv Factor	Operating press. [bar]
	W4015001000	PIV33M01 NC	24VDC	2.5W	1.1	0.42	0 to 10
	W4015001010	PIV33M03 NC	24VAC	2W - 3VA	1.1	0.42	0 to 10
	W4015001020	PIV33M05 NC	110VAC	2W - 3VA	1.1	0.42	0 to 10
	W4015001030	PIV33M07 NC	220VAC	2W - 3VA	1.1	0.42	0 to 10
	W4015001100	PIV63M01 NC	24VDC	2.5W	1.5	0.55	0 to 6
	W4015001110	PIV63M03 NC	24VAC	2W - 3VA	1.5	0.55	0 to 6
	W4015001120	PIV63M05 NC	110VAC	2W - 3VA	1.5	0.55	0 to 6
	W4015001130	PIV63M07 NC	220VAC	2W - 3VA	1.5	0.55	0 to 6
	W4015002000	PIV13M01 NO	24VDC	2.5W	1	0.33	0 to 6
	W4015002010	PIV13M03 NO	24VAC	2W - 3VA	1	0.33	0 to 6
	W4015002020	PIV13M05 NO	110VAC	2W - 3VA	1	0.33	0 to 6
	W4015002030	PIV13M07 NO	220VAC	2W - 3VA	1	0.33	0 to 6

MULTIPLE BASE FOR PIV.M



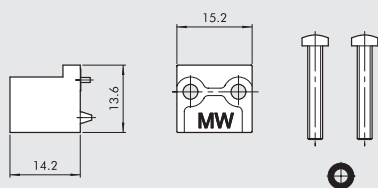
Code	Description	Abbrev.	Weight [g]
W0400101001	Single base 1 position	B5001	6
W0400101002	Multiple base 2 positions	B5002	24
W0400101003	Multiple base 3 positions	B5003	34
W0400101004	Multiple base 4 positions	B5004	46
W0400101005	Multiple base 5 positions	B5005	58
W0400101006	Multiple base 6 positions	B5006	70
W0400101007	Multiple base 7 positions	B5007	82
W0400101008	Multiple base 8 positions	B5008	98
W0400101009	Multiple base 9 positions	B5009	106
W0400101010	Multiple base 10 positions	B5010	114

END PLUG - UNUSED POSITION



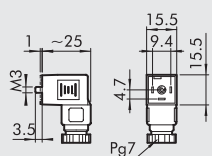
Code	Description	Weight [g]
W0400102000	End plug	6

END PLUG - PORT 1



Code	Description	Weight [g]
W0400102002	End plug - port 1	4

MICRO ELECTRIC CONNECTOR 15 mm



Code	Colour	Type
W0970500011	Black	Standard
W0970500012	Transparent	LED 24V
W0970500013	Transparent	LED 110V
W0970500015	Transparent	LED + VDR 24V
W0970500016	Transparent	LED + VDR 110V