



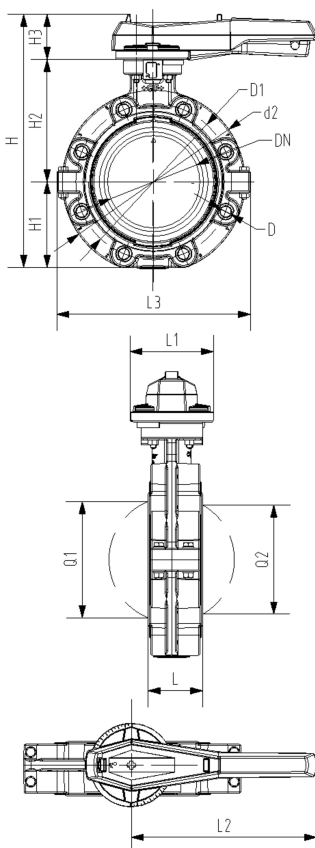
## Lugstyle butterfly valve type 578 PVC-U Hand lever with ratchet settings

### Model:

- Housing material: PP-GF30 with SS316 lug-inserts
- Overall length according to EN 558, ISO 5752 (DN50 - 200 line 25, DN250 - 300 line 10)
- Connecting dimension: ISO 7005 PN10, EN 1092 PN10, DIN 2501 PN10
- We recommend for the dimensions DN250 and DN300 only 6 bar maximum system pressure for the hand lever version

### Option:

- Optional accessory: Valve-Integrated position feedback with limit switches (limit switches have to be ordered separately)



| d    | Size   | DN   | PN    | kv-value            | EPDM               | SP | Weight | FKM                | SP | Weight |
|------|--------|------|-------|---------------------|--------------------|----|--------|--------------------|----|--------|
| (mm) | (inch) | (mm) | (bar) | ( $\Delta p=1$ bar) | Code               |    | (kg)   | Code               |    | (kg)   |
|      |        |      |       | (L/min)             |                    |    |        |                    |    |        |
| 63   | 2      | 50   | 10    | 1470                | <b>161 578 002</b> | 1  | 1.800  | <b>161 578 022</b> | 1  | 1.800  |
| 75   | 2 1/2  | 65   | 10    | 2200                | <b>161 578 003</b> | 1  | 1.895  | <b>161 578 023</b> | 1  | 1.895  |
| 90   | 3      | 80   | 10    | 3000                | <b>161 578 004</b> | 1  | 2.251  | <b>161 578 024</b> | 1  | 2.251  |
| 110  | 4      | 100  | 10    | 6500                | <b>161 578 005</b> | 1  | 3.146  | <b>161 578 025</b> | 1  | 3.146  |
| 140  | 5      | 125  | 10    | 11500               | <b>161 578 006</b> | 1  | 4.660  | <b>161 578 026</b> | 1  | 4.660  |
| 160  | 6      | 150  | 10    | 16600               | <b>161 578 007</b> | 1  | 6.430  | <b>161 578 027</b> | 1  | 6.430  |
| 225  | 8      | 200  | 10    | 39600               | <b>161 578 008</b> | 1  | 8.625  | <b>161 578 028</b> | 1  | 8.625  |
| 280  | 10     | 250  | 10    | 55200               | <b>161 578 009</b> | 1  | 19.528 | <b>161 578 029</b> | 1  | 19.528 |
| 315  | 12     | 300  | 10    | 80000               | <b>161 578 010</b> | 1  | 26.106 | <b>161 578 030</b> | 1  | 26.106 |

| d    | d2   | D   | D1   | D3   | H    | H1   | H2   | H3   | L    | L1   | L2   | L3   | L4   | Q1   | Q2   |
|------|------|-----|------|------|------|------|------|------|------|------|------|------|------|------|------|
| (mm) | (mm) |     | (mm) | (mm) | (mm) | (mm) | (mm) | (mm) | (mm) | (mm) | (mm) | (mm) | (mm) | (mm) | (mm) |
| 63   | 160  | M16 | 125  | 27   | 265  | 77   | 134  | 62   | 45   | 78   | 112  | 179  | 165  | 40   |      |
| 75   | 180  | M16 | 145  | 27   | 277  | 83   | 140  | 62   | 46   | 78   | 112  | 179  | 182  | 54   | 35   |
| 90   | 195  | M16 | 160  | 27   | 289  | 89   | 146  | 62   | 49   | 78   | 112  | 179  | 210  | 67   | 50   |
| 110  | 226  | M16 | 180  | 27   | 328  | 106  | 167  | 62   | 56   | 78   | 112  | 179  | 240  | 88   | 74   |
| 140  | 258  | M16 | 210  | 27   | 357  | 121  | 181  | 62   | 64   | 78   | 112  | 179  | 272  | 113  | 97   |
| 160  | 284  | M20 | 240  | 27   | 377  | 133  | 189  | 62   | 72   | 78   | 112  | 179  | 300  | 139  | 123  |
| 225  | 341  | M20 | 295  | 27   | 436  | 159  | 210  | 62   | 73   | 78   | 112  | 179  | 360  | 178  | 169  |
| 280  | 412  | M20 | 350  | 200  | 536  | 205  | 264  | 69   | 113  | 97   | 130  | 198  | 440  | 210  | 207  |
| 315  | 482  | M20 | 400  | 200  | 586  | 234  | 285  | 69   | 113  | 97   | 130  | 198  | 510  | 256  | 253  |

The technical data are not binding. They neither constitute expressly warranted characteristics nor guaranteed properties nor a guaranteed durability. They are subject to modification. Our General Terms of Sale apply.

Georg Fischer Piping Systems Ltd, Postfach, CH-8201 Schaffhausen/Switzerland

Phone +41 -(0)52-631 1111

e-mail: [info.ps@georgfischer.com](mailto:info.ps@georgfischer.com)

Internet: <http://www.gfps.com>