


Knocker «FKL in»

Variable impact force and interval.

Properties

- Single or interval impact mode
- Variable impact force and interval
- Lubrication-free
- Flexible range of application
- Applicable up to 120°C, HT version up to 150°C and LT version down to -40°C on request
- Also available with ATEX certification 

Field of application

Wide field of application. Resistant against extreme environmental conditions and in wet- and explosive environments. Best for knocking off adhering material from container walls such as silos, chutes, filter outlets, reactors and pipelines.

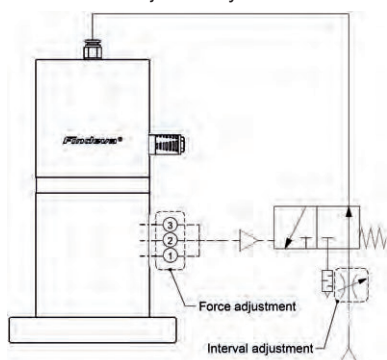
Construction

A piston is forced against a spring by compressed air. With rapid rapid bleeding, the piston bounces against a baffle plate.

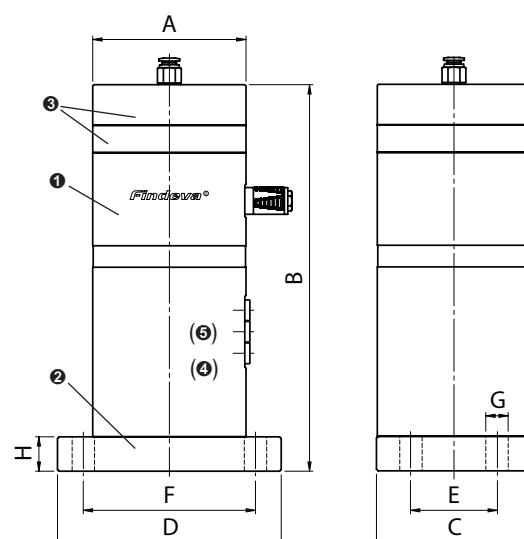


Interval impact mode

The impact depends on the interval time which is set by a throttle valve. The force is adjusted by the three control bores 1 - 3.

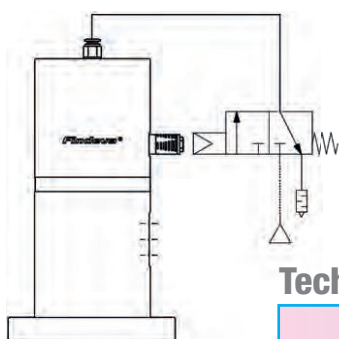


- 1 Housing of hard-anodized aluminium alloy
- 2 Baseplate of hard anodized aluminium
- 3 Cap and flange hard Ematal-covered
- 4 Piston in steel
- 5 Compression spring



Single impact mode

The impact is triggered immediately after the 3/2-way valve switches. Several knockers can be switched in parallel.



Dimensions and weights

Model	A [mm]	B [mm]	C [mm]	D [mm]	E [mm]	F [mm]	G [mm]	H [mm]	Weight [kg]
FKL-25 in	∅ 52	155	54	88	-	70	9	12	1.03
FKL-50 in	∅ 64	177	65	115	-	90	13	15	1.85
FKL-100 in	∅ 89	225	90	130	50	100	13	20	4.50
FKL-150 in	∅ 118	309	-	∅ 140	-	∅ 115	13	21	9.50
FKL 200 in	∅ 147	319	-	∅ 180	-	∅ 152	17	24	14.80

Technical data

Model	Min. op. pressure [bar] Control bores No.			Op. pressure single impact [bar]	Energy/impact [Nm]	Impulse/impact [Ns]	Stroke [min ⁻¹]	Air consump- tion [l/impact]	For wall- thickness to [mm]
	1	2	3						
FKL-25 in	3.0	4.5	6.5	2.5 - 8.0	1 - 7	1 - 1.4	max. 10	0.07 - 0.2	2
FKL-50 in	3.0	4.5	6.5	2.5 - 8.0	5 - 21	1.2 - 4.7	max. 10	0.1 - 0.3	4
FKL-100 in	4.0	5.0	6.5	2.0 - 7.5	10 - 70	2.1 - 14.7	max. 10	0.5 - 1.1	7
FKL-150 in	5.3	6.7	8.0	2.5 - 9.0	50 - 196	10.4 - 40.6	max. 10	1.2 - 2.0	10
FKL-200 in	5.3	6.7	8.0	2.0 - 8.0	100 - 280	28.8 - 80.5	max. 10	2.2 - 3.3	15