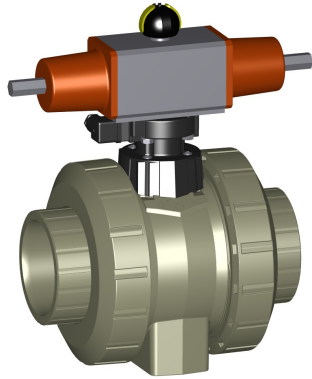


DN10/15 - 50



**PROGEF Standard Ball valve type 231  
FC (Fail safe to close)  
Without manual override  
With fusion sockets metric**

**Model:**

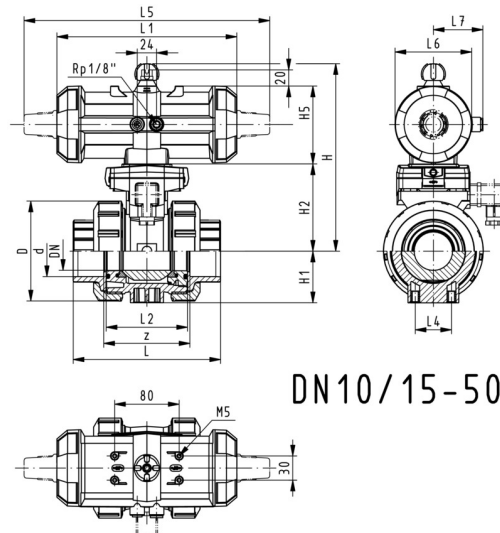
- Material: PP-H
- Control time 90°< 1-2s
- Assignment of actuators: PA11 (DN10/15-25), PA21 (DN32-50), PA30 (DN65), PA40 (DN80), PA40 (DN100)
- For easy installation and removal
- Integrated stainless steel mounting inserts

**Option:**

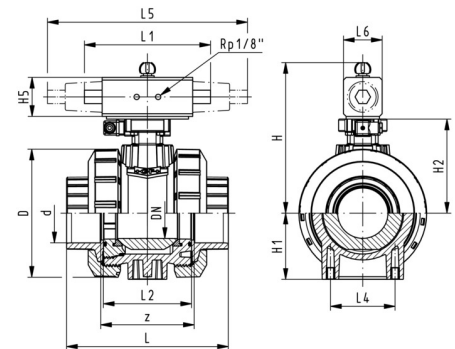
- Individual configuration of the valve

d (mm)	DN (mm)	PN (bar)	kv-value ( $\Delta p=1$ bar) (L/min)	EPDM Code	SP	Weight (kg)	FKM Code	SP	Weight (kg)
16	10	10	70	199 231 122	1	1.200	199 231 132	1	1.200
20	15	10	185	199 231 123	1	1.002	199 231 133	1	0.996
25	20	10	350	199 231 124	1	1.072	199 231 134	1	1.300
32	25	10	700	199 231 125	1	1.149	199 231 135	1	1.129
40	32	10	1000	199 231 126	1	2.500	199 231 136	1	2.500
50	40	10	1600	199 231 127	1	2.185	199 231 137	1	2.800
63	50	10	3100	199 231 128	1	2.719	199 231 138	1	3.700
75	65	10	5000	199 231 129	1	6.600	199 231 139	1	5.142
90	80	10	7000	199 231 130	1	8.400	199 231 140	1	8.057
110	100	10	11000	199 231 131	1	12.600	199 231 141	1	12.600

d (mm)	D (mm)	H (mm)	H1 (mm)	H2 (mm)	H5 (mm)	L (mm)	L1 (mm)	L2 (mm)	L4 (mm)	L5 (mm)	L6 (mm)	L7 (mm)	z (mm)	closest inch (inch)
16	50	159	27	62	77	93	194	56	25	261	76	48	67	3/8
20	50	159	27	62	77	95	194	56	25	261	76	48	66	1/2
25	58	168	30	71	77	108	194	65	25	261	76	48	77	3/4
32	68	168	36	71	77	118	194	71	25	261	76	48	83	1
40	84	202	44	84	99	137	224	85	45	305	95	59	99	1 1/4
50	97	202	51	84	99	147	224	89	45	305	95	59	105	1 1/2
63	124	225	64	106	99	168	224	101	45	305	95	59	117	2
75	166	262	85	156	70	233		136	70	276	65		167	2 1/2
90	200	281	105	168	78	254		141	70	341	72		180	3
110	238	292	123	175	86	301		164	120	369	80		215	4



DN10/15-50



DN65-100

# Data sheet

valid from: 8/21/21

---



The technical data are not binding. They neither constitute expressly warranted characteristics nor guaranteed properties nor a guaranteed durability. They are subject to modification. Our General Terms of Sale apply.

Georg Fischer Piping Systems Ltd, Postfach, CH-8201 Schaffhausen/Switzerland

Phone +41 -(0)52-631 1111

e-mail: [info.ps@georgfischer.com](mailto:info.ps@georgfischer.com)

Internet: <http://www.gfps.com>