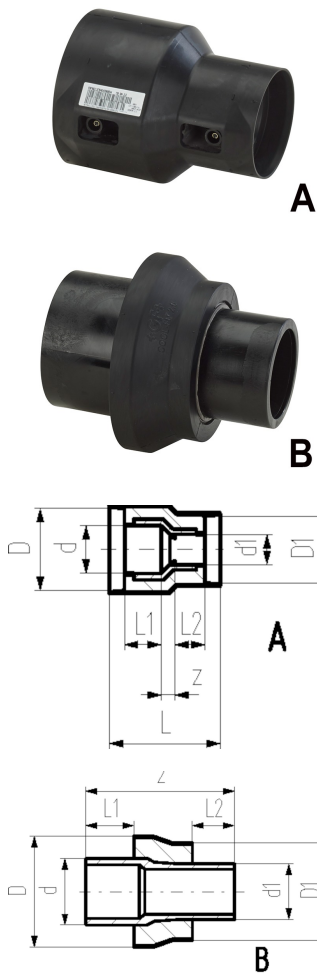


## COOL-FIT 2.0 Reducer

### Model:

- Pre-insulated PE100 SDR11, metric
- Insulation made from GF HE foam
- Impact resistant. Color: black
- A: Electrofusion Fitting with integrated sealing lip, for a moisture-proof and vapour tight sealing
- B: Spigot Fitting with free end (separate electrofusion fitting needed for joining)



d/D (mm)	d1/D1 (mm)	DN (mm)	SDR	PN (bar)	Code	Weight (kg)
40/90	32/75	32	11	16	<b>738 904 206</b>	0.125
50/90	32/75	40	11	16	<b>738 904 209</b>	0.154
50/90	40/90	40	11	16	<b>738 904 210</b>	0.153
63/110	32/75	50	11	16	<b>738 904 212</b>	0.198
63/110	40/90	50	11	16	<b>738 904 213</b>	0.221
63/110	50/90	50	11	16	<b>738 904 214</b>	0.219
90/140	63/110	80	11	16	<b>738 904 222</b>	0.464
110/160	90/140	100	11	16	<b>738 904 229</b>	0.799
75/125	63/110	65	11	16	<b>738 904 318</b>	0.244
90/140	63/110	80	11	16	<b>738 904 322</b>	0.360
90/140	75/125	80	11	16	<b>738 904 323</b>	0.395
110/160	63/110	100	11	16	<b>738 904 327</b>	0.523
110/160	75/125	100	11	16	<b>738 904 328</b>	0.553
110/160	90/140	100	11	16	<b>738 904 329</b>	0.599
140/200	63/110	125	11	16	<b>738 904 340</b>	0.917
140/200	75/125	125	11	16	<b>738 904 341</b>	0.997
140/200	90/140	125	11	16	<b>738 904 342</b>	1.039
140/200	110/160	125	11	16	<b>738 904 343</b>	1.051

d/D (mm)	d1/D1 (mm)	L (mm)	L1 (mm)	L2 (mm)	z (mm)	Closest inch (inch)	Type
40/90	32/75	131	40	36	17	1 ¼ - 1	A
50/90	32/75	139	44	36	21	1 ½ - 1	A
50/90	40/90	137	44	40	15	1 ½ - 1 ¼	A
63/110	32/75	148	48	36	26	2 - 1	A
63/110	40/90	147	48	40	21	2 - 1 ¼	A
63/110	50/90	147	48	44	17	2 - 1 ½	A
90/140	63/110	187	62	48	39	3 - 2	A
110/160	90/140	214	72	62	42	4 - 3	A
75/125	63/110		55	48	170	2 ½ - 2	B
90/140	63/110		62	48	190	3 - 2	B
90/140	75/125		62	55	190	3 - 2 ½	B
110/160	63/110		72	48	205	4 - 2	B
110/160	75/125		72	55	205	4 - 2 ½	B
110/160	90/140		84	62	205	4 - 3	B
140/200	63/110		84	48	225	5 - 2	B
140/200	75/125		84	55	237	5 - 2 ½	B
140/200	90/140		84	62	238	5 - 3	B
140/200	110/160		84	72	233	5 - 4	B

The technical data are not binding. They neither constitute expressly warranted characteristics nor guaranteed properties nor a guaranteed durability. They are subject to modification. Our General Terms of Sale apply.

# Data sheet

valid from: 9/9/21

---



Phone +41 -(0)52-631 1111

e-mail: [info.ps@georgfischer.com](mailto:info.ps@georgfischer.com)

Internet: <http://www.gfps.com>